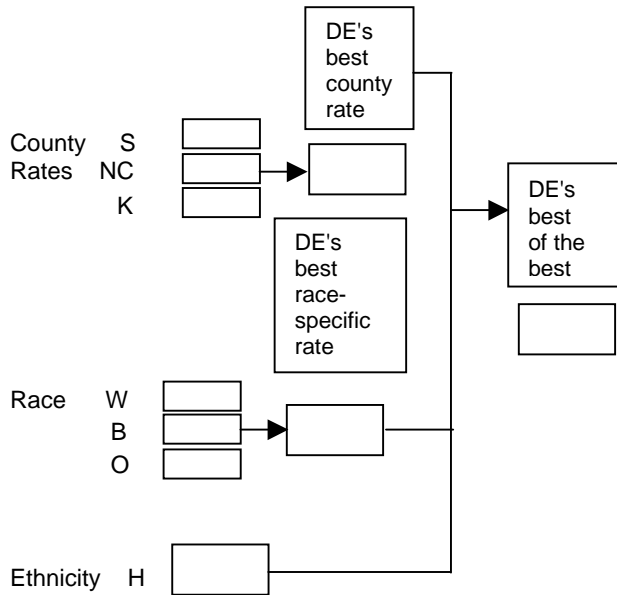


Target Setting Worksheet

Indicator: _____



US Average

HP 2010 Target

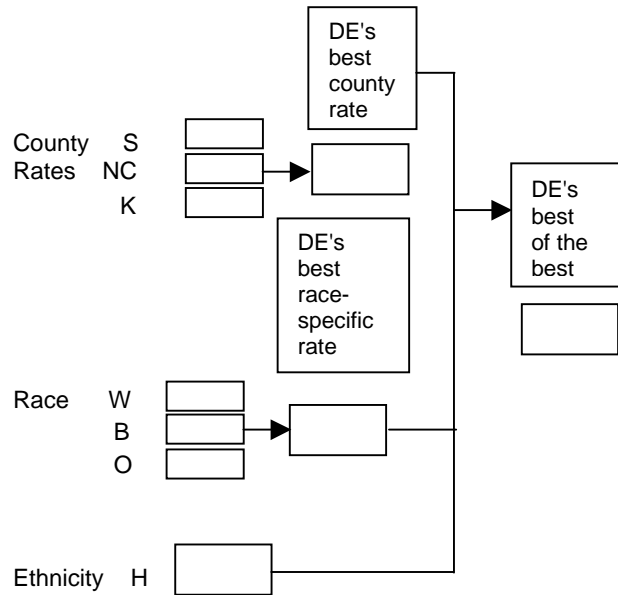
Best of the best (nation)

Trends:		DE	US
Annual change	increasing level	<input type="text"/>	<input type="text"/>
	decreasing level	<input type="text"/>	<input type="text"/>
	decreasing level	<input type="text"/>	<input type="text"/>

DE Target Rate: _____

Target Setting Method: _____

Indicator: _____



US Average

HP 2010 Target

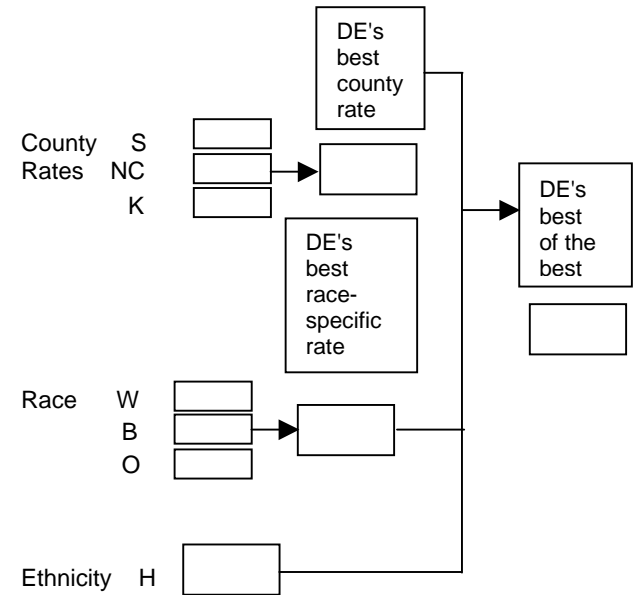
Best of the best (nation)

Trends:		DE	US
Annual change	increasing level	<input type="text"/>	<input type="text"/>
	decreasing level	<input type="text"/>	<input type="text"/>
	decreasing level	<input type="text"/>	<input type="text"/>

DE Target Rate: _____

Target Setting Method: _____

Indicator: _____



US Average

HP 2010 Target

Best of the best (nation)

Trends:		DE	US
Annual change	increasing level	<input type="text"/>	<input type="text"/>
	decreasing level	<input type="text"/>	<input type="text"/>
	decreasing level	<input type="text"/>	<input type="text"/>

DE Target Rate: _____

Target Setting Method: _____